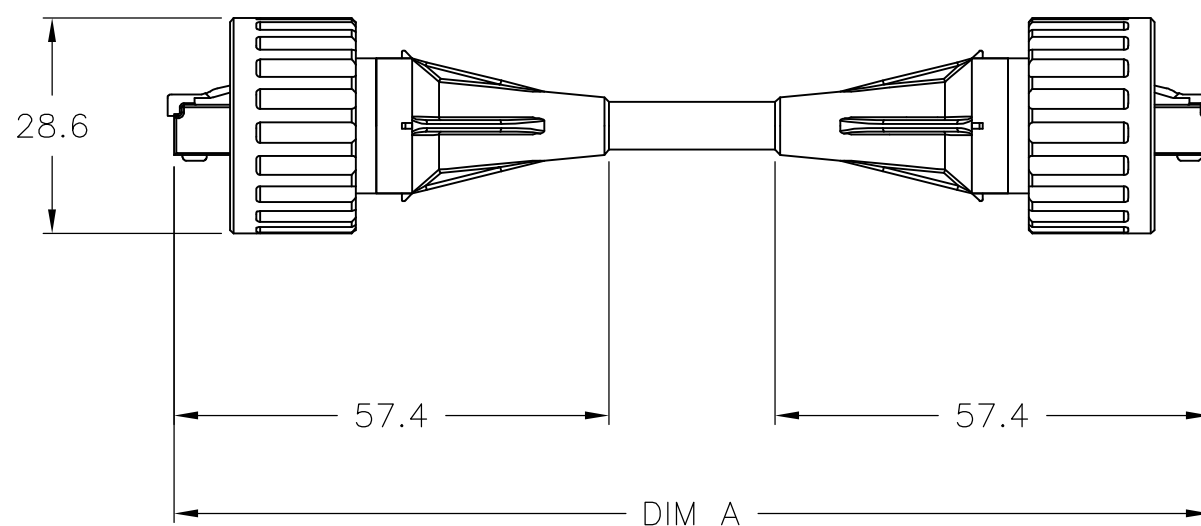


THIS DRAWING IS UNPUBLISHED. RELEASED FOR PUBLICATION
 © COPYRIGHT - BY TYCO ELECTRONICS CORPORATION. ALL RIGHTS RESERVED.

LOC	DIST	REVISIONS			
P	LTR	DESCRIPTION	DATE	DWN	APVD
FT	0	D1	REVISED PER ECO-07-018401	8/21/07	SS MS

△1 MATERIALS:
 INSERT: ACRYLONITRILE-BUTADIENE-STYRENE, (ABS)
 OVERMOLD: PVC



PRELIMINARY	SHIELDED/STRANDED	+76mm/-0.0	3 METERS	1-1546453-3
	STRANDED	+76mm/-0.0	5 METERS	1-1546453-2
	STRANDED	+38mm/-0.0	2 METERS	1-1546453-1
SUPERSEDED	-	+76mm/-0.0	5 METERS	1546453-2
SUPERSEDED	-	+38mm/-0.0	2 METERS	1546453-1
	CABLE	TOLERANCE	DIM A	PART NO.

THIS DRAWING IS A CONTROLLED DOCUMENT.		DWN S SCHLEGEL 28MAY2003	Tyco Electronics Corporation Harrisburg, PA 17105-3608	
DIMENSIONS: mm	TOLERANCES UNLESS OTHERWISE SPECIFIED:	CHK H WAKEEM 5/28/03	NAME INDUSTRIAL ETHERNET CORDSET, STRANDED, DOUBLE ENDED INDUSTRIAL	
	0 PLC ± - 1 PLC ± .5 2 PLC ± .13 3 PLC ± - 4 PLC ± - ANGLES ± 2'	APVD H WAKEEM 5/28/03	PRODUCT SPEC -	
MATERIAL - △1	FINISH -	APPLICATION SPEC -	SIZE A3	RESTRICTED TO -
		WEIGHT -	CAGE CODE 00779	DRAWING NO 1546453
CUSTOMER DRAWING			SCALE NTS	SHEET 1 OF 1
			REV D1	